

PAC-W 2650 SH

EN

OPERATING MANUAL
MONOBLOC AIR
CONDITIONER WITHOUT
EXTERNAL UNIT



Table of contents

Notes regarding the operating manual..... 2

Safety 2

Information about the device..... 6

Transport and storage..... 7

Assembly and start-up..... 7

Operation 11

Errors and faults..... 14

Maintenance 16

Technical annex..... 18

Disposal 22

Simplified EU Declaration of Conformity 22

Notes regarding the operating manual

Symbols



Danger

This symbol indicates dangers to the life and health of persons due to extremely flammable gas.



Warning of electrical voltage

This symbol indicates dangers to the life and health of persons due to electrical voltage.



Warning of hot surface

This symbol indicates dangers to the life and health of persons due to hot surface.



Warning

This signal word indicates a hazard with an average risk level which, if not avoided, can result in serious injury or death.



Caution

This signal word indicates a hazard with a low risk level which, if not avoided, can result in minor or moderate injury.

Note

This signal word indicates important information (e.g. material damage), but does not indicate hazards.



Info

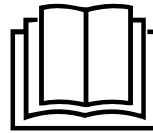
Information marked with this symbol helps you to carry out your tasks quickly and safely.



Follow the manual

Information marked with this symbol indicates that the operating manual must be observed.

You can download the current version of the operating manual and the EU declaration of conformity via the following link:



PAC-W 2650 SH



<https://hub.trotec.com/?id=46475>

Safety

Read this manual carefully before starting or using the device. Always store the manual in the immediate vicinity of the device or its site of use.



Warning

Read all safety warnings and all instructions.

Failure to follow the warnings and instructions may result in electric shock, fire and/or serious injury.

Save all warnings and instructions for future reference.

This appliance can be used by children aged from 8 years and above and persons with reduced physical, sensory or mental capabilities or lack of experience and knowledge if they have been given supervision or instruction concerning use of the appliance in a safe way and understand the hazards involved. Children shall not play with the appliance. Cleaning and user maintenance shall not be made by children without supervision.

- Do not use the device in potentially explosive rooms or areas and do not install it there.
- Do not use the device in aggressive atmosphere.
- Let the device dry out after a wet clean. Do not operate it when wet.
- Do not use the device with wet or damp hands.
- Do not expose the device to directly squirting water.
- Never insert any objects or limbs into the device.
- Do not cover the device during operation.
- Do not sit on the device.
- This appliance is not a toy. Keep away from children and animals. Do not leave the device unattended during operation.
- Check accessories and connection parts for possible damage prior to every use of the device. Do not use any defective devices or device parts.

- Ensure that all electric cables outside of the device are protected from damage (e.g. caused by animals). Never use the device if electric cables or the power connection are damaged!
- The mains connection must correspond to the specifications in the Technical annex.
- Insert the mains plug into a properly fused mains socket.
- Observe the technical data when selecting extensions to the power cable. Completely unroll the extension cable. Avoid electrical overload.
- Before carrying out maintenance, care or repair work on the device, remove the mains plug from the mains socket. Hold onto the mains plug while doing so.
- Switch the device off and disconnect the power cable from the mains socket when the device is not in use.
- Do not under any circumstances use the device if you detect damages on the mains plug or power cable. If the power cable is damaged, it must be replaced by the manufacturer, its service agent or similarly qualified persons in order to avoid a hazard. Defective power cables pose a serious health risk!
- When positioning the device, observe the minimum distances from walls and other objects as well as the storage and operating conditions specified in the Technical annex.
- Make sure that the air inlet and outlet are not obstructed.
- Do not remove any safety signs, stickers or labels from the device. Keep all safety signs, stickers and labels in legible condition.
- Make sure that the suction side is kept free of dirt and loose objects.
- Only transport the device in an upright position with an emptied condensation tray or drain hose.
- Discharge the collected condensate before transport and storage. Do not drink it. Health hazard!
- For complex installations, contact a specialist company for cooling and air-conditioning or Trotec.
- Use batteries of type AAA.
- Never charge batteries that cannot be recharged.
- Different types of batteries and new and used batteries must not be used together.
- Insert the batteries into the battery compartment according to the correct polarity.
- Remove discharged batteries from the device. Batteries contain materials hazardous to the environment. Dispose of the batteries according to the national regulations.
- Remove the batteries from the remote control if you will not be using the device for a longer period of time.
- Never short-circuit the supply terminal in the battery compartment!
- Do not swallow batteries! If a battery is swallowed, it can cause severe internal burns within 2 hours! These burns can lead to death!
- If you think batteries might have been swallowed or otherwise entered the body, seek medical attention immediately!
- Keep new and used batteries and an open battery compartment away from children.
- If the battery compartment does not close securely, stop using the product via the remote control.



Safety warnings for devices containing flammable refrigerants

- Only position the device in rooms where potentially leaking refrigerant cannot accumulate. Unventilated rooms, in which the device is installed, operated or stored, must be built in a way to ensure that potentially leaking refrigerant cannot accumulate. This serves to avoid fire or explosion hazards resulting from an ignition of the refrigerant by an electric furnace, cooking stove or another ignition source.
- Only position the device in rooms where there is no source of ignition (e.g. open flames, an active gas appliance or an electric heater).
- Please note that the refrigerant is odourless.
- Only install the device in compliance with the national installation regulations.
- Please observe the local regulations.
- Observe the national gas regulations.
- Only install, operate and store the device PAC-W 2650 SH in a room measuring more than 15 m².
- Store the device in a way that no mechanical damage can occur.
- Please note that the connected pipelines must not contain any sources of ignition.
- R290 is a refrigerant that complies with European environmental regulations. No part of the cooling circuit may be perforated.
- Observe the maximum refrigerant capacity in the technical data.
- Do not drill through or burn.
- Do not use any means other than those recommended by the manufacturer for accelerating the defrosting process.
- Every person working with or at the refrigerant circuit must be able to provide a certificate of qualification issued by a body accredited by the industry, demonstrating their competence in the safe use of refrigerants based on a procedure well-known in the industry.

- Service work may only be carried out in accordance with the manufacturer's specifications. If maintenance and repair work require the support of additional persons, the person trained in handling flammable refrigerants shall continuously supervise the work carried out.
- The entire refrigerant circuit is a maintenance-free, hermetically sealed system and may only be maintained or repaired by specialist companies for cooling and air-conditioning or by Trotec.

Intended use

Only use the device for cooling, ventilating, dehumidifying and heating indoor air whilst adhering to the technical data.

Foreseeable misuse

- Do not place the device on wet or flooded ground.
- Do not place any objects, e.g. clothing, on the device.
- Do not use the device out of doors.
- Do not assemble or use the device in wet rooms (e.g. bathrooms or laundry rooms).
- Never immerse the device in water.
- Do not make any unauthorised modifications, alterations or structural changes to the device.
- Any use other than the intended use is regarded as a reasonably foreseeable misuse.

Personnel qualifications

People who use this device must:

- be aware of the dangers that occur when working with electric devices in damp areas.
- have read and understood the operating manual, especially the Safety chapter.

Maintenance tasks which require the housing to be opened must only be carried out by specialist companies for cooling and air-conditioning or by Trotec.

Safety signs and labels on the device

Note

Do not remove any safety signs, stickers or labels from the device. Keep all safety signs, stickers and labels in legible condition.

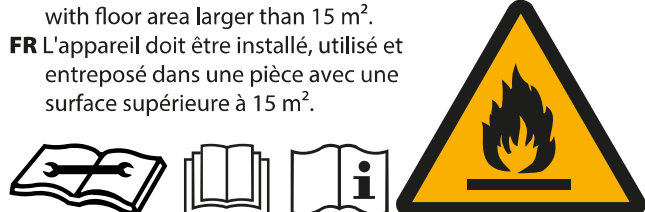
The following safety signs and labels are attached to the device:

WARNING • WARNUNG • ATTENTION

DE Das Gerät muss in einem Raum mit einer Grundfläche größer als 15 m² aufgestellt, betrieben und gelagert werden.

EN Appliance shall be installed, operated and stored in a room with floor area larger than 15 m².

FR L'appareil doit être installé, utilisé et entreposé dans une pièce avec une surface supérieure à 15 m².




Follow the manual

This symbol indicates that the operating manual must be observed.



Follow the repair manual

Disposal, maintenance and repair work of the refrigerant circuit may only be carried out in accordance with the manufacturer's specifications and by persons having a certificate of qualification. A corresponding repair manual is available from the manufacturer upon request.

!!! ACHTUNG !!!

1. Vor Inbetriebnahme MIND. 12 STUNDEN aufrecht und still stehen lassen! Das schützt den Kompressor, verlängert die Lebensdauer erheblich und verhindert so einen Verlust der Kühlleistung.
2. Das Klimagerät muss immer BESONDERS VORSICHTIG auf den Boden gestellt werden! Ansonsten können Mikrorisse in der Bodenplatte und der Kondensatwanne entstehen, was dazu führt, dass Kondenswasser auf den Boden tropft.

Für Schäden, die durch unsachgemäßen Gebrauch entstehen, übernehmen wir KEINE GEWÄHRLEISTUNG!

!!! WARNING !!!

1. Before operation, stand upright and rest for MIN 12 HOURS! This protects the compressor, greatly extending its life and preventing loss of cooling performance.
2. The air conditioner must always be placed on the floor with CAUTION! Otherwise, microcracks may form in the bottom plate and the condensate pan, causing condensation to drip onto the floor.

For damages caused by improper use, WARRANTY WILL BE NULL AND VOID!

!!! ATTENTION !!!

1. Avant la mise en service, laissez immobile en position verticale PENDANT AU MOINS 12 HEURES ! Cela protège le compresseur, prolonge sensiblement la durée de vie et évite ainsi une diminution des performances de refroidissement.
2. Le climatiseur doit toujours être posé sur le sol AVEC LES PLUS GRANDES PRÉCAUTIONS ! Sinon, des micro-fissures risquent de se former dans le socle ou le bac de récupération de l'eau de condensation, ce qui entraînerait que cette dernière coule sur le sol.

Toute utilisation incorrecte ou non conforme entraîne L'EXTINCTION DE LA GARANTIE !

Residual risks



Danger

Natural refrigerant propane (R290)!

H220 – Extremely flammable gas.

H280 – Contains gas under pressure; may explode if heated.

P210 – Keep away from heat, sparks, open flames and other ignition sources. No smoking.

P377 – Leaking gas fire: Do not extinguish, unless leak can be stopped safely.

P410+P403 – Protect from sunlight. Store in a well-ventilated place.



Warning of electrical voltage

Work on the electrical components must only be carried out by an authorised specialist company!



Warning of electrical voltage

Before any work on the device, remove the mains plug from the mains socket!

Do not touch the mains plug with wet or damp hands. Hold onto the mains plug while pulling the power cable out of the mains socket.



Warning of electrical voltage

Risk of electric shock!

The device does not have the appropriate protection class for use in wet rooms.

There is a risk of electric shock!

Never use the device in wet rooms (e.g. in bathrooms and laundry rooms) and never immerse the device in water!



Warning of hot surface

In heating mode, the ventilation flap at the air outlet may become very hot and cause burns. Do not touch the ventilation flap during and after heating operation. Risk of burns.



Warning

Dangers can occur at the device when it is used by untrained people in an unprofessional or improper way! Observe the personnel qualifications!



Warning

A falling device can cause injuries! Always transport and assemble the device with the help of other persons. Never stand below the device when it is suspended. Ensure adequate stability of the device's wall fixing.



Warning

The device is not a toy and does not belong in the hands of children.



Warning

Risk of suffocation!

Do not leave the packaging lying around. Children may use it as a dangerous toy.

Note

Do not operate the device without an inserted air filter! Without the air filter, the inside of the device will be heavily contaminated. This could reduce the performance and result in damage to the device.

Behaviour in the event of an emergency

1. Switch the device off.
2. In an emergency, disconnect the device from the mains feed-in: Hold onto the mains plug while pulling the power cable out of the mains socket.
3. Do not reconnect a defective device to the mains.

Information about the device

Device description

The device serves the purpose of cooling the room air. In addition, the device dehumidifies the air and thus creates a pleasant room climate. Additionally, the device can be used as heater.

The device is installed on a wall from which a connection to the outside is established. The device does not require an external unit.

The unit cools the room air by withdrawing warmth. The absorbed warmth is emitted to the outside via the exhaust air hose; cooled air is fed to the installation site by means of a fan.

Accumulating condensate drips from the evaporator onto the hot condenser, there it evaporates and then is transported to the outside via the condensation hose.

In *ventilation* mode the device provides the opportunity of air circulation without cooling effect.

In *dehumidification* mode moisture is withdrawn from the air.

In *heating* mode the room air is warmed up.

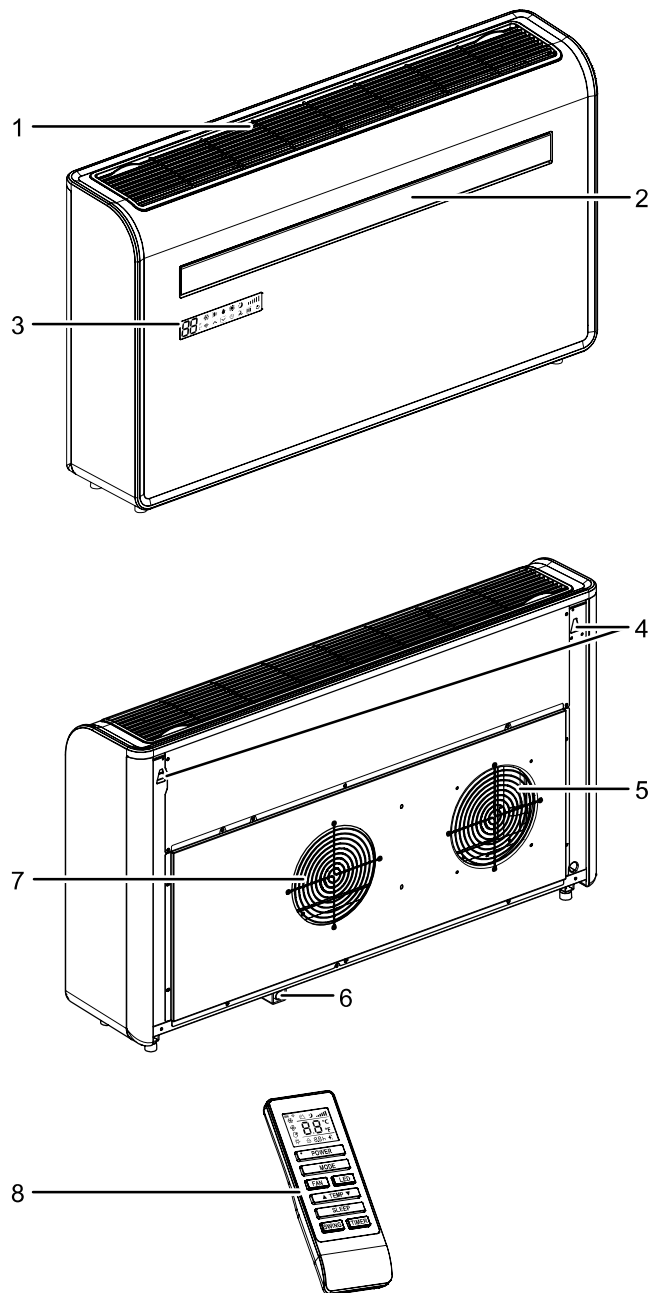
The device operates fully automatically and features a variety of further options. The device can, for instance, be switched on or off automatically with time delay via the timer function.

The inverter technology of the device allows it to remain in permanent operation and to keep the room temperature constant without fluctuations. To do so, the device constantly monitors the temperature and steplessly adjusts the speed.

Operation of the device is possible either via the control panel at the device or via the supplied infrared remote control.

In addition, the device comes with a WiFi app control with additional functions.

Device depiction



No.	Designation
1	Air inlet (with air filter)
2	Air outlet with adjustable ventilation flap
3	Control panel
4	Wall mountings
5	Air inlet
6	Condensation drain
7	Air outlet
8	Remote control

Transport and storage

Note

If you store or transport the device improperly, the device may be damaged.

Note the information regarding transport and storage of the device.

Transport

Please note that additional transport regulations might apply to devices containing flammable refrigerants. The equipment's arrangement and the maximum number of components to be transported together can be gathered from the applicable transport regulations.

Before transporting the device, observe the following:

- Switch the device off.
- Hold onto the mains plug while pulling the power cable out of the mains socket.
- Drain the remaining condensate from the device.
- Do not use the power cable to drag the device.

After transporting the device, proceed as follows:

- Set up the device in an upright position after transport.
- Leave the device to rest for at least 12 hours, so the refrigerant can accumulate within the compressor. Wait 12 hours before switching the device back on! Acting contrary might lead to compressor damage and a malfunctioning device. Any warranty claims will be voided in this case.

Storage

Before storing the device, proceed as follows:

- Drain the remaining condensate from the device.
- Hold onto the mains plug while pulling the power cable out of the mains socket.

When the device is not being used, observe the following storage conditions:

- Only store the device in a room measuring more than 15 m².
- Only position the device in rooms where there is no source of ignition (e.g. open flames, an active gas appliance or an electric heater).
- Store the device in a dry location and protected from frost and heat.
- Store the device in an upright position where it is protected from dust and direct sunlight.
- If required, use a cover to protect the device from invasive dust.
- Place no further devices or objects on top of the device to prevent it from being damaged.
- Remove batteries from the remote control.

Assembly and start-up

Scope of delivery

- 1 x Device
- 2 x Hose adapter (interior)
- 2 x Hose adapter (exterior)
- 4 x Connecting chain
- 1 x Wall template
- 2 x Plastic film sheets
- 1 x Suspension rail
- 1 x Set with screws, wall plugs and washers
- 1 x Remote control
- 1 x Manual

Unpacking the device

1. Open the cardboard box and take the device out.
2. Completely remove the packaging.
3. Fully unwind the power cable. Make sure that the power cable is not damaged and that you do not damage it during unwinding.

Start-up



Info

Recommendation for the installation

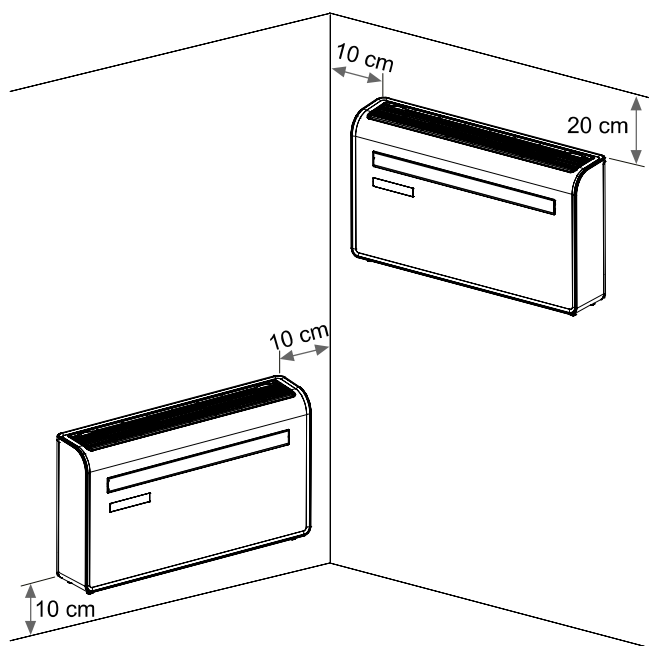
In order to provide a professional installation and failure-free operation, Trotec GmbH recommends that the installation is carried out by a specialist installer.



Info

Prior to installing the device, carry out a calculation of the required power. The more accurate the calculation, the more efficient is the operation of the device. Observe the applicable regulations when performing calculations.

Observe the following instructions:



- Before restarting the device, check the condition of the power cable. If there are doubts as to the sound condition, contact the customer service.
- Only install the device in rooms where potentially leaking refrigerant cannot accumulate.
- Only install the device in rooms where there is no source of ignition (e.g. open flames, an active gas appliance or an electric heater).
- Do not create tripping hazards when laying the power cable or other electrical cables. Use cable bridges.
- Make sure that extension cables are completely unrolled.
- Keep air inlets and outlets as well as the exhaust air hose connection free.
- Make sure that no curtains or other objects interfere with the air flow.

Inserting batteries into the remote control



Warning of electrical voltage

Do not touch the battery compartment with wet or damp hands.

Note

Do not use rechargeable batteries! Observe the Technical data for start-up.

Please proceed as follows to insert or exchange the batteries:

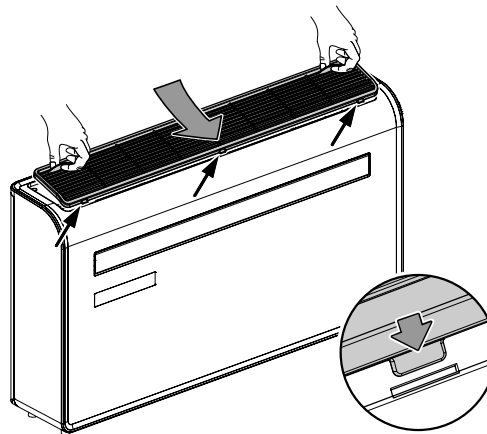
1. Press the upper part on the back of the remote control and pull the battery cover off the remote control.
2. Insert two batteries into the battery compartment according to the correct polarity.
3. Slide the battery cover back onto the remote control.

Inserting the air filter

Note

Do not operate the device without an inserted air filter! Without the air filter, the inside of the device will be heavily contaminated. This could reduce the performance and result in damage to the device.

- Make sure that the air filter is installed before switching the device on.



Assembly

Always utilize the help of another person to assemble the device. Do not try to assemble the device without the help of another person. To lift the device, use a forklift or an elevating truck as appropriate.



Warning of electrical voltage

Risk of electric shock!

The device does not have the appropriate protection class for use in wet rooms.

There is a risk of electric shock!

Never use the device in wet rooms (e.g. in bathrooms and laundry rooms) and never immerse the device in water!



Warning

The wall on which the device is to be mounted must be stable, robust and suitable for supporting the weight of the device.

Before installation, check the wall area where you want to drill for steel beams, gas lines, water pipes, wastewater pipes, electrical lines or similar.



Warning

Before and during assembly, ensure that no persons are endangered by the material removed towards the outside. The last part of the installation must be carried out with the utmost care and with little pressure so that the exterior plaster is not damaged.



Warning

Draining condensate water must not cause any damage.



Info

The device must be installed on a wall facing the outside of the building.

Note

After drilling the two holes, make sure that the intake of the outside air and the return of the air to the outside are not obstructed by leafy plants, facade cladding, window shutters or similar.

The following tools are required for assembly:

- Spirit level
- Drill
- Tape measure
- Cutter knife
- Pen
- 8 mm Masonry drill bit
- 20 mm Masonry drill bit
- 180 mm Core drill bit

Assemble the device as follows:

Select screw and wall plug sizes suitable for the weight of the device (see technical data) and the structure of the wall.

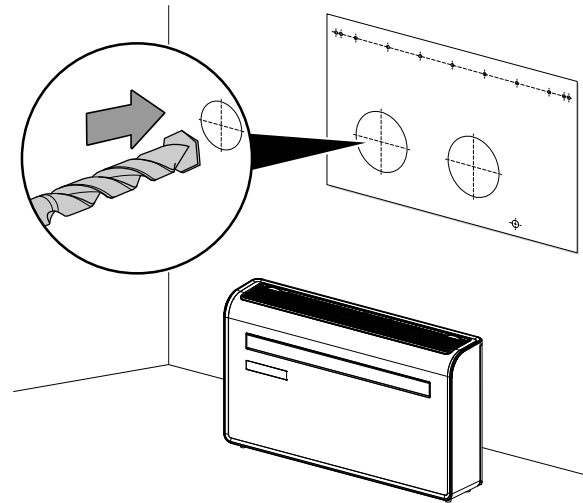
1. Align the supplied wall template on the wall and stick it in place.
2. Drill a hole for the condensate outlet. Make sure that the bore runs downwards at an angle of at least 5° so that the condensate water can drain off easily.
3. Drill the holes for the exhaust air and fresh air supply using the 20 mm masonry drill bit and the 180 mm core drill bit.



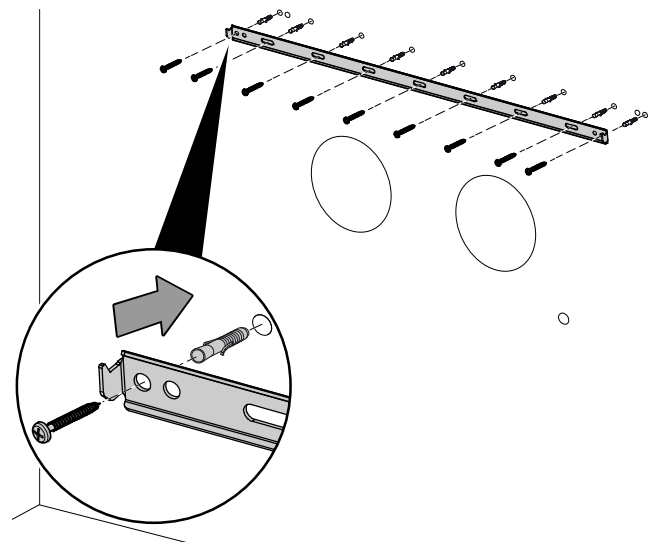
Warning

Before and during assembly, ensure that no persons are endangered by the material removed towards the outside. The last part of the installation must be carried out with the utmost care and with little pressure so that the exterior plaster is not damaged.

4. Use the template to mark the positions of the screws for the suspension rail.
5. Drill the holes with the 8 mm masonry drill bit so that they are suitable for the wall plugs supplied.

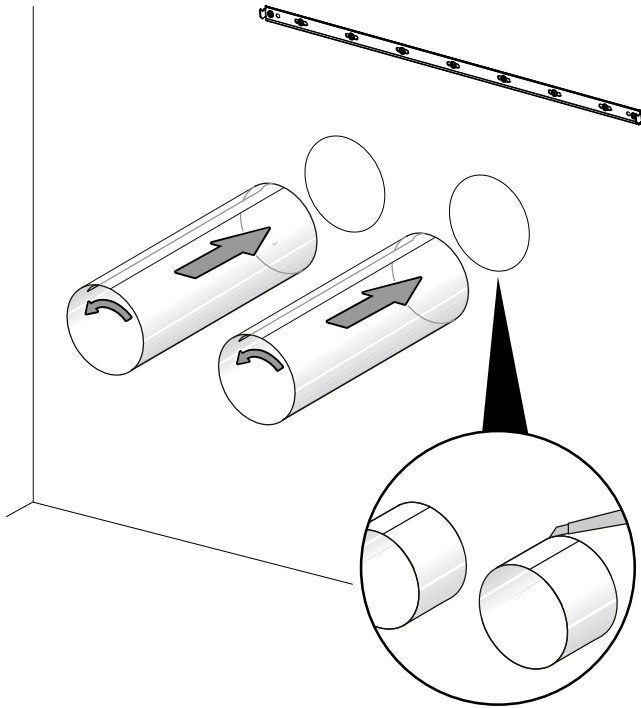


6. Mount the support rail to the wall and align it with the spirit level.

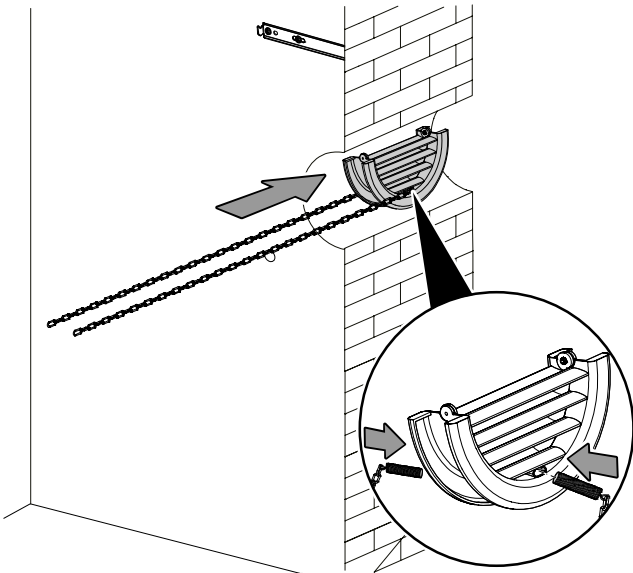


7. Check the attachment of the suspension rail and make sure that there is no risk of the device falling down.
8. Roll the plastic film sheets into a tube and feed them through the large wall holes until they are positioned flush with the interior wall.

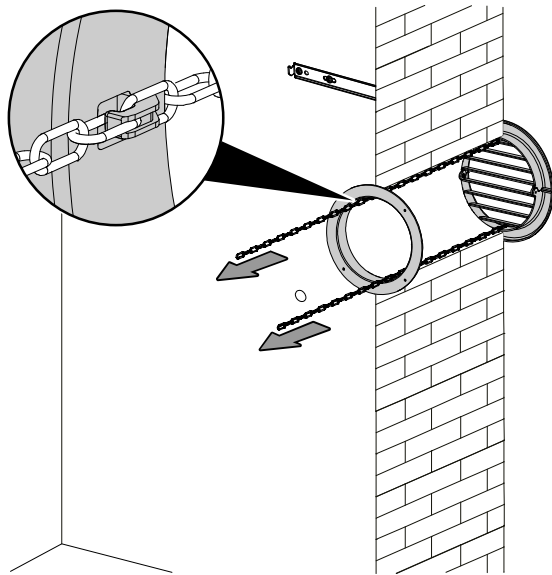
9. Neatly cut off any excess plastic film sheets on the outer wall with a sharp knife.
 ⇒ The used tube should be approx. 240 mm long.



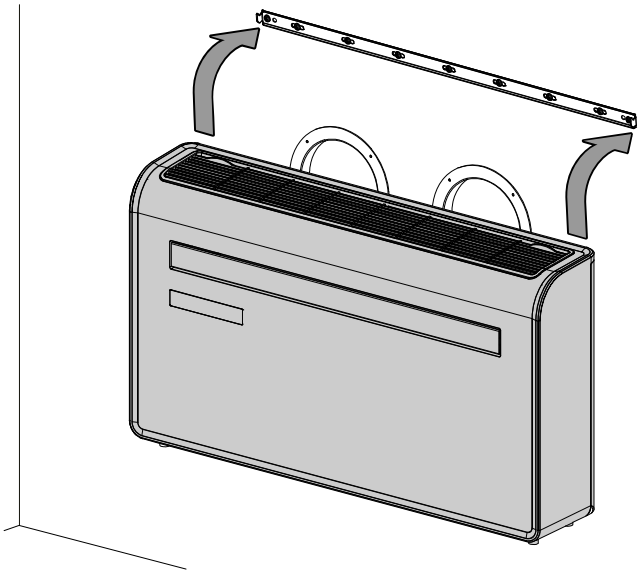
10. Insert the inner fixing ring of the ventilation cover on the inside of the ventilation opening.
 11. Then fold the outer ventilation cover in half.
 12. Attach the chains to each side of the ventilation cover before pushing the cover through the vent hole towards the outside.



13. Fold out the outer cover before fixing the chains by hooking them into the inner fixing ring. This will firmly hold the external cover in position.



14. Secure the chains and cut off excess chain links.
 15. Lift the device onto the wall, align the holes where the device is to be mounted with the hooks on the suspension rail and carefully place the device in position. At the same time, push the drain pipe through the drain hole.



Prior to initial start-up, insert batteries in the remote control.

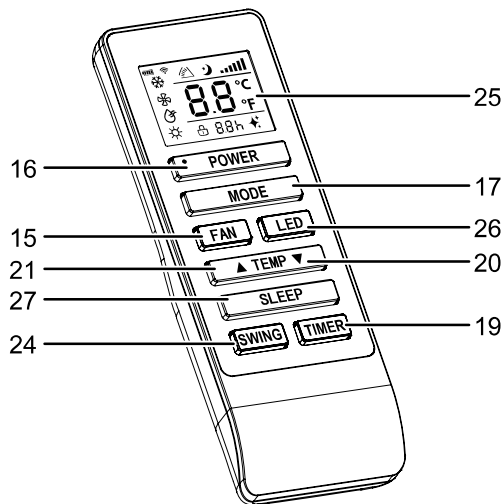
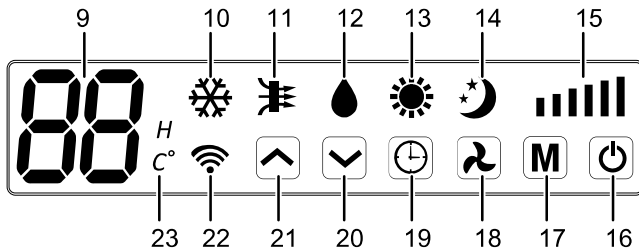
Connecting the power cable

- Insert the mains plug into a properly fused mains socket.

Operation

Control panel

- Avoid open doors and windows.



No.	Designation	Meaning
9	Segment display	Indication of the current room temperature Indication of the target temperature Indication of the number of hours during timer programming Indication of the error code, see chapter Errors and faults
10	Cooling LED	Illuminated when <i>cooling</i> mode is activated
11	Ventilation LED	Illuminated when <i>ventilation</i> mode is activated
12	Dehumidification LED	Illuminated when <i>dehumidification</i> mode is activated
13	Heating LED	Illuminated when <i>heating</i> mode is activated; Flashes temporarily for as long as cold air protection is required
14	Night mode LED	Illuminated when <i>night mode</i> is activated
15	Fan speed LEDs	Fan speed indication
16	On / Off button	Switching the device on or off

No.	Designation	Meaning
17	Mode button	Selecting the operating mode: <i>Cooling</i> <i>Ventilation</i> <i>dehumidification</i> <i>Heating</i>
18	Speed button	Setting the fan speed
19	Timer button	<i>Automatic switch-on</i> timer function in increments of 1 hour (1 h to 24 h) <i>Automatic switch-off</i> timer function in increments of 1 hours (1 h to 24 h)
20	Decrease value button	Reducing the target temperature (16 °C to 30 °C) for cooling or heating For reducing the number of hours when programming the timer
21	Increase value button	Increasing the target temperature (16 °C to 30 °C) for cooling or heating For increasing the number of hours when programming the timer
22	Wifi LED	Illuminated if the device is connected to the network
23	Temperature unit LED	Indicates the currently set temperature unit (degrees Celsius or Fahrenheit)
24	Swing button (remote control only)	Switching the swing function on or off
25	Display	Indication of different device functions
26	LED button	Switching the LEDs on the control panel on or off
27	Sleep button	Switching night mode on or off

Switching the device on

- Once you have completely installed the device as described in the Start-up chapter, you can switch it on.
- Press the *on/off* button (16).
 - ⇒ The device starts in cooling mode.
 - ⇒ The *cooling* LED (10) is illuminated.
 - ⇒ The *fan speed* LED (15) is illuminated.
 - ⇒ The air outlet (7) opens automatically.
- Select the desired operating mode.

Setting the operating mode

- Cooling
- Ventilation
- dehumidification
- Heating

Cooling

In *cooling* mode the room will be cooled down to the desired target temperature.

1. Press the *MODE* button (17) until the *cooling* LED (10) is illuminated.
2. Press the *Increase value* (20) or *Decrease value* button (21) to select the desired target temperature. The temperature can be adjusted in increments of 1 °C in a range between 16 °C and 30 °C.
 - ⇒ The desired target temperature is indicated on the segment display (9).
3. Press the *fan speed* button (18) to set the desired fan stage.
 - ⇒ The *fan speed* LED (15) for the desired fan stage will be illuminated.
 - ⇒ The *cooling* LED (10) will be illuminated to indicate *cooling* mode.

Ventilation

In *ventilation* mode the room air is circulated, it will neither be cooled nor dehumidified.

1. Press the *MODE* button (17) until the LED for *ventilation* (11) lights up.
2. Press the *SPEED* button (18) to set the desired fan speed.
 - ⇒ The LED for the selected fan speed (15) will be illuminated.

Dehumidification

In *dehumidification* mode the humidity level in the room is reduced.

The temperature cannot be adjusted and the fan runs at the lowest speed level.

1. Press the *MODE* button (17) until the *dehumidification* LED (12) is illuminated.
 - ⇒ *Dehumidification* mode is selected.
 - ⇒ The temperature and the fan speed (stage 1) are preset in this operating mode and cannot be changed.
 - ⇒ The current room temperature is indicated on the segment display (9).

Heating



Warning of hot surface

In heating mode, the ventilation flap at the air outlet may become very hot and cause burns. Do not touch the ventilation flap during and after heating operation.
Risk of burns.

In *heating* mode the room will be heated up to the desired target temperature.

1. Press the *mode* button (17) until the *heating* LED (13) is illuminated.
 - ⇒ *Heating* mode is selected.

2. Repeatedly press the *increase value* (20) or *decrease value* button (21) to select the desired target temperature. The temperature can be adjusted in increments of 1 °C in a range between 16 °C and 30 °C.

⇒ The desired target temperature is indicated on the segment display (9).

Night mode

Night mode can be activated in *cooling* and *heating* mode.

The following settings are part of the night mode's *cooling* mode:

- After 1 hour the preset temperature is increased by 1 °C. After another hour the preset temperature will again be increased by 1 °C.
- Temperature and fan speed cannot be changed in night mode.

The following settings are part of the night mode's *heating* mode:

- After 1 hour the preset temperature is decreased by 1 °C. After another hour the preset temperature will again be decreased by 1 °C.
- Temperature and fan speed cannot be changed in night mode.

To activate night mode, please proceed as follows:

1. Select *cooling* or *heating* mode.
2. Press the *sleep* button (27) on the remote control.
 - ⇒ The *cooling* LED (10) or *heating* LED (13) and *sleep* LED (14) are illuminated.
3. In order to switch the night mode off, press the *sleep* button (27).
 - ⇒ The *sleep* LED (14) turns off.
 - ⇒ The selected operating mode remains active.

Setting the timer

The timer has two modes of operation:

- automatic switch-on upon expiry of a preset number of hours
- automatic switch-off upon expiry of a preset number of hours

The timer can be programmed in increments of 1 hour (1 h to 24 h).

The function can be set in all operating modes. It can be activated both during operation and in standby mode.

Info

Automatic switch-on and *automatic switch-off* can be enabled at the same time with the Trotec Assistant App.

Note

The device must not be left unattended in a freely accessible room with an activated timer.

Automatic switch-on

- ✓ The device is now in standby mode.
- 1. Press the *timer* button (19) to activate the timer.
- 2. Press the *decrease value* (20) or *increase value* button (21) to select the desired number of hours until automatic switch-on.
- 3. Wait for approx. 3 seconds to confirm the setting.
 - ⇒ The segment display (9) continuously indicates the number of hours until automatic switch-on.
 - ⇒ The *H* LED is illuminated on the control panel.
 - ⇒ After the predefined time, the device switches itself on.

Notes regarding automatic switch-on:

- If the device is disconnected from the power supply, all settings for automatic switch-on are deleted.
- Manually switching the device on disables the automatic switch-on function.
- If you select **0** hours, the timer will be off.

Automatic switch-off

- ✓ The device is switched on.
- 1. Press the *timer* button (19) to activate the timer.
- 2. Press the *decrease value* (20) or *increase value* button (21) to select the desired number of hours until automatic switch-off.
- 3. Wait for 3 seconds to confirm the setting.
 - ⇒ The number of hours until automatic switch-on will be indicated on the segment display (9) for approx. 3 s.
 - ⇒ The *H* LED is illuminated on the control panel.
 - ⇒ After the predefined time, the device switches itself off.

Notes regarding automatic switch-off:

- If the device is disconnected from the power supply, all settings for automatic switch-on are deleted.
- Manually switching the device off disables the automatic switch-off function.

Swing function

The swing function can be switched on in any operating mode if required.

By means of the swing function, the air outlet (7) is moved automatically and thus ensures continuous air circulation.

1. Press the *SWING* button (24) on the remote control.
 - ⇒ The ventilation flaps move up and down continuously.
2. Press the *SWING* button (24) again to stop the ventilation flap in a certain position and to switch off the swing function.

Memory function

After a power failure during operation the device will automatically be switched back on. The chosen operating mode settings will be saved, a possibly programmed timer will not.

The compressor may start up with a delay of 3 min, as it is provided with an internal protection against direct restart.

Trotec Assistant



All settings can also be made via the Trotec Assistant App. The settings of the timer functions that are operated via the app are not additionally displayed on the control panel of the device.

Install the Trotec Assistant App on the terminal device you want to use in combination with the device.

Info

Some of the app's functions require access to your location and an active Internet connection.

The app is available for download in the Google Play Store as well as in Apple's app store and via the following link:



<https://hub.trotec.com/?id=45093>

WiFi connection

Proceed as follows to establish a WiFi connection:

- ✓ The device is now in standby mode.
- 1. Download the Trotec Assistant App and open it on a smartphone.
- 2. Select *Add Device* by pressing the + sign in the top right corner.
- 3. Select *Large household appliances* and *Air conditioning (Wi-Fi)* among them.
- 4. Press the *fan speed* button (18) on the control panel of the device for approx. 3 s.
 - ⇒ The *Wifi* LED (22) lights up.
- 5. Press the *fan speed* button (18) again on the control panel of the device for approx. 3 s.
 - ⇒ The *Wifi* LED (22) flashes approx. 2 times per second.
 - ⇒ The device is in *Quick Connect* mode.
- 6. Follow the instructions of the app on the smartphone.
 - ⇒ Once the *Wifi* LED (22) is permanently illuminated, the connection is established.

Info

If the WiFi connection is interrupted, the device may not automatically reconnect to the network. If this is the case, re-establish the connection with the *fan speed* button (18).

Shutdown



Warning of electrical voltage

Do not touch the mains plug with wet or damp hands.

- Switch off the device.
- Hold onto the mains plug while pulling the power cable out of the mains socket.
- Clean the device according to the Maintenance chapter.

Errors and faults

The device has been checked for proper functioning several times during production. If malfunctions occur nonetheless, check the device according to the following list.

The device does not start:

- Check the power connection.
- Check the power cable and mains plug for damage. If you notice damages, do not try to take the device back into operation.

If the supply cord is damaged, it must be replaced by the manufacturer, its service agent or similarly qualified persons in order to avoid a hazard.

- Check the on-site fusing.
- Observe the operating temperature according to the chapter Technical annex.
- Wait for 10 minutes before restarting the device. If the device is not starting, have the electrics checked by a specialist company or by Trotec.

The device works with reduced or no cooling capacity:

- Check whether *cooling* mode is selected.
- Check the position of the ventilation flaps. They should be opened to the maximum.
- Check the air filter(s) for dirt. If necessary, clean or replace the air filter(s).
- Check whether any windows and/or doors of the room are open. If so, close them.
- Check the temperature setting at the device. Reduce the set temperature if it is higher than the room temperature.

Condensate is leaking:

- Check the device for leaks.

The compressor does not start:

- Check whether the overheating protection of the compressor has tripped. Disconnect the device from the mains and let it cool down for approx. 10 minutes before reconnecting it.
- Check whether the ambient temperature equals the target temperature (in *cooling* mode). The compressor will not switch on unless the respective temperature is reached.
- The compressor may start up with a delay of 3 minutes, as it is provided with an internal protection against direct restart.

The device gets very warm, is loud or is losing performance:

- Check the air inlets and air filters for dirt. Remove external dirt.
- From the outside, check the device for dirt (see chapter Maintenance). If the inside of the device is dirty, have it cleaned by a specialist company for cooling and air-conditioning or by Trotec.

The device does not respond to the infrared remote control:

- Check whether the distance between remote control and device is too large and reduce it if necessary.
- Make sure there are no obstacles, such as furniture or walls, between the device and the remote control. Ensure visual contact between device and remote control.
- Check the charging status of the batteries and change them if required.
- If the batteries have just been changed, check them for correct polarity.

Note

Wait for at least 3 minutes after maintenance and repair work. Only then switch the device back on.

The device still does not operate correctly after these checks:

Please contact the customer service. If necessary, bring the device to a specialist company for cooling and air-conditioning or to Trotec for repair.

Error codes

The following error messages can be displayed on the segment display (9):

Error code	Cause	Error code	Cause
F1	Compressor drive failure	FE	Software error of the mainboard
F2	Compressor drive failure	PA	Error with return air temperature sensor
F3	Start error of compressor	P1	Overheating protection at the top of compressor
F4	Compressor drive failure	PE	Abnormal refrigerant circulation
F5	Location detection loop error	PH	Fault in refrigerant circuit
FA	Phase current overcurrent protection	PC	Exhaust temperature protection
P2	DC bus voltage undervoltage protection	E3	DC fan feedback failure (indoor)
E4	Communication error (indoor and outdoor)	P6	Coil tube overload protection (indoor)
F6	PCB communication error	P7	Defrost protection on coil tube (indoor)
P3	AC Input voltage protection	E2	Sensor error on indoor coil tube
P4	AC overcurrent protection	E1	Temperature sensor error (indoor)
P5	AC undervoltage protection	P8	Zero-crossing fault detection (indoor)
F7	Coil sensor error (outdoor)	EE	Software error of the mainboard
F8	Sensor on suction pipe error	E5	Water-splash motor error
E0	Sensor on discharge pipe error	E8	Fan feedback fault
E6	Temperature sensor error (outdoor)	FL	Water-full protection
E7	Fan motor error (outdoor)		

Maintenance

Maintenance intervals

Maintenance and care interval	before every start-up	as needed	at least every 2 weeks	at least every 4 weeks	at least every 6 months	at least annually
Check air inlets and outlets for dirt and foreign objects and clean if necessary	X			X		
Clean the exterior		X				X
Visually check the inside of the device for dirt		X				X
Check the air filter for dirt and foreign objects and clean or replace if necessary	X		X			
Check for damage	X					
Check the attachment screws		X				X
Test run						X
Empty the condensation tray and drain hose		X				

Maintenance and care log

Device type:

Device number:

Maintenance and care interval	1	2	3	4	5	6	7	8	9	10	11	12	13	14	15	16
Check air inlets and outlets for dirt and foreign objects and clean if necessary																
Clean the exterior																
Visually check the inside of the device for dirt																
Check the air filter for dirt and foreign objects and clean or replace if necessary																
Check for damage																
Check the attachment screws																
Test run																
Empty the condensation tray and drain hose																
Comments																

1. Date: Signature:	2. Date: Signature:	3. Date: Signature:	4. Date: Signature:
5. Date: Signature:	6. Date: Signature:	7. Date: Signature:	8. Date: Signature:
9. Date: Signature:	10. Date: Signature:	11. Date: Signature:	12. Date: Signature:
13. Date: Signature:	14. Date: Signature:	15. Date: Signature:	16. Date: Signature:

Activities required before starting maintenance



Warning of electrical voltage

Do not touch the mains plug with wet or damp hands.

- Switch the device off.
- Hold onto the mains plug while pulling the power cable out of the mains socket.



Warning of electrical voltage

Tasks which require the device to be opened must only be carried out by authorised specialist companies or by Trotec.

Refrigerant circuit



Danger

Natural refrigerant propane (R290)!

H220 – Extremely flammable gas.

H280 – Contains gas under pressure; may explode if heated.

P210 – Keep away from heat, sparks, open flames and other ignition sources. No smoking.

P377 – Leaking gas fire: Do not extinguish, unless leak can be stopped safely.

P410+P403 – Protect from sunlight. Store in a well-ventilated place.

- The entire refrigerant circuit is a maintenance-free, hermetically sealed system and may only be maintained or repaired by specialist companies for cooling and air-conditioning or by Trotec.

Safety signs and labels on the device

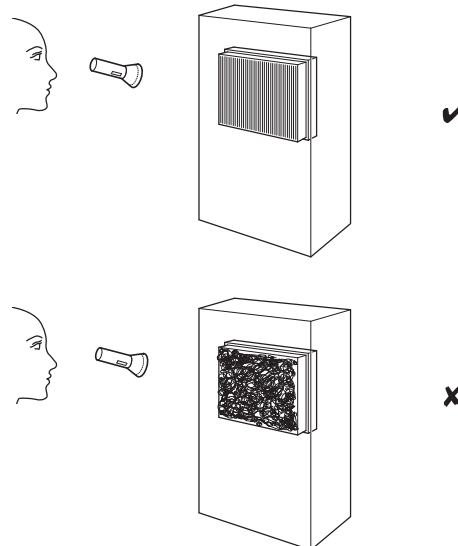
Check the safety signs and labels attached to the device at regular intervals. Replace illegible safety signs!

Cleaning the housing

Clean the housing with a soft, damp and lint-free cloth. Make sure that no moisture enters the housing. Protect electrical components from moisture. Do not use any aggressive cleaning agents such as cleaning sprays, solvents, alcohol-based or abrasive cleaners to dampen the cloth.

Visual inspection of the inside of the device for dirt

1. Remove the air filter.
2. Use a torch to illuminate the openings of the device.
3. Check the inside of the device for dirt.
4. If you see a thick layer of dust, have the inside of the device cleaned by a specialist company for cooling and air-conditioning or by Trotec.
5. Put the air filter back in.



Cleaning the air filter

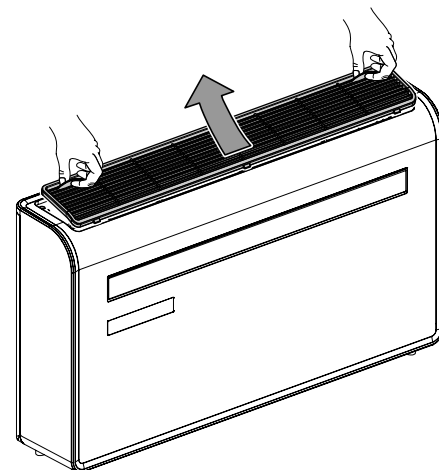
The air filter has to be cleaned as soon as it is dirty. This is brought to light e.g. by a reduced capacity (see chapter Errors and faults).



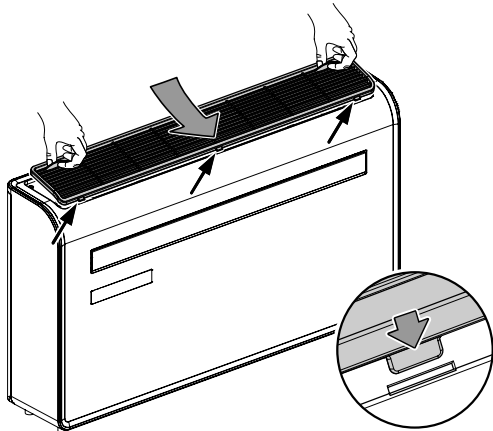
Warning

Ensure that the air filter is not worn or damaged. The corners and edges of the air filter must not be deformed or rounded. Before reinserting the air filter, make sure that it is undamaged and dry!

1. Remove the air filter from the device.



2. Clean the filter using a slightly damp, soft, lint-free cloth. If the filter is heavily contaminated, clean it with warm water mixed with a neutral cleaning agent.
3. Allow the filter to dry completely. Do not insert a wet filter into the device!
4. Reinsert the air filter into the device.



Activities required after maintenance

If you want to continue using the device:

- Leave the device to rest for at least 12 hours, so the refrigerant can accumulate within the compressor. Wait 12 hours before switching the device back on! Acting contrary might lead to compressor damage and a malfunctioning device. Any warranty claims will be voided in this case.
- Reconnect the device to the mains.

If you do not intend to use the device for a considerable time:

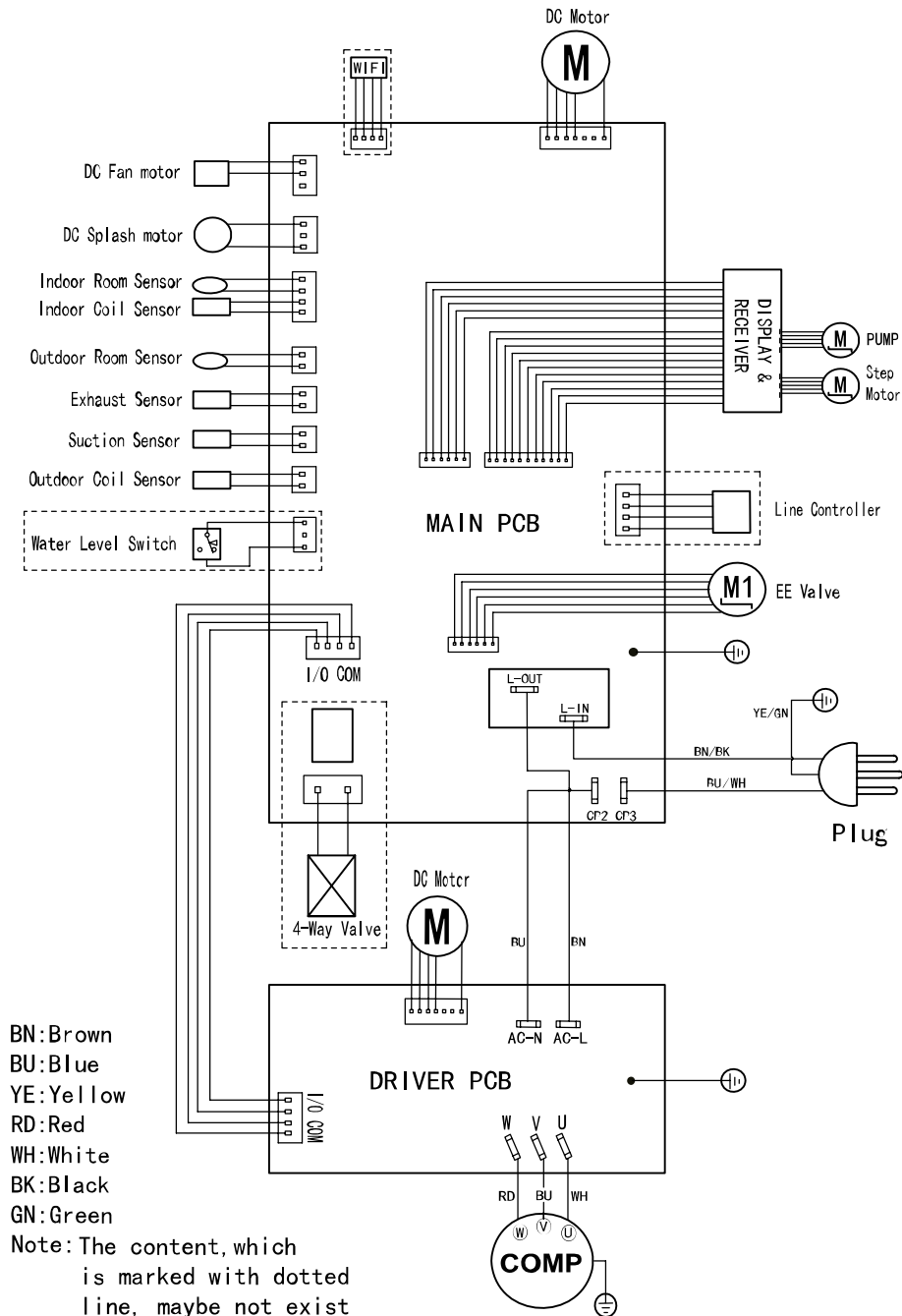
- Store the device according to the Transport and storage chapter.

Technical annex

Technical data

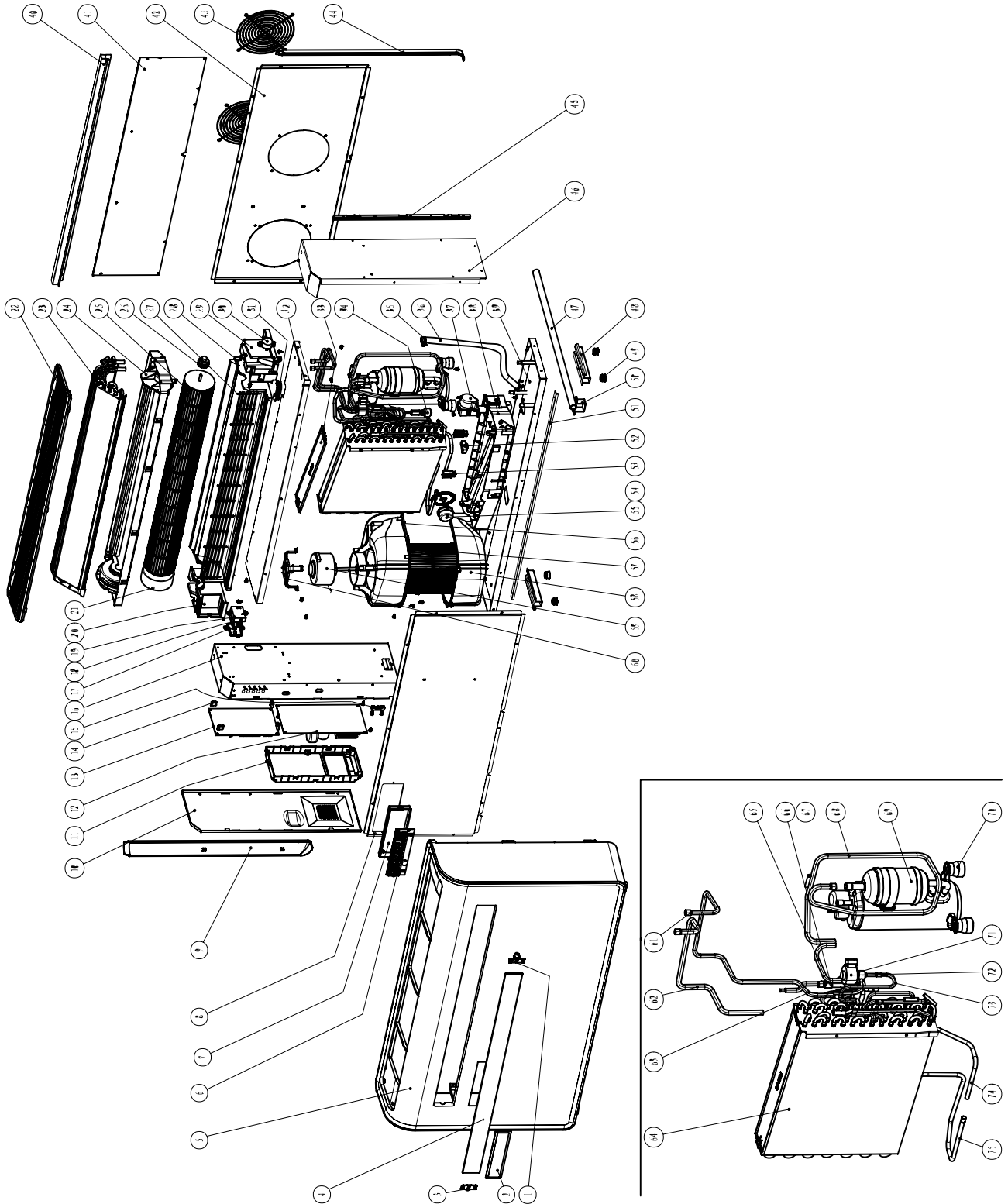
Model	PAC-W 2650 SH
Cooling capacity	2.65 kW
Heating capacity	2.3 kW
Dehumidification performance	1.2 l/h
Operating temperature	7 °C to 35 °C
Temperature setting range	16 °C to 30 °C
Max. air volume flow	500 m ³ /h
Mains connection	220 V – 240 V / 50 Hz
Nominal current	5 A
Type of protection	IPX0
Power input (cooling operation)	1 kW
Power input (heating operation)	0.7 kW
Sound pressure level at a distance of 1 m	48 dB(A)
Refrigerant	R290
Amount of refrigerant	290 g
GWP factor	3
CO ₂ equivalent	0.00087 t
Pressure suction side	1.3 MPa
Pressure outlet side	3.8 MPa
Max. permissible pressure	3.8 MPa
Dimensions (length x width x height)	205 x 995 x 585 mm
Minimum distance to walls and other objects:	top: 20 cm sides: 10 cm front: 10 cm
Weight	42.5 kg
Remote control battery	Type LR03 / AAA – 1.5 V
Wifi frequency band	2.4 GHz

Circuit diagram



Overview and list of spare parts

Note: The position numbers of the spare parts differ from those describing the positions of other parts mentioned in this operating manual.



No.	Spare part	No.	Spare part	No.	Spare part
1	Guide vane right fixed cart	26	Rotor shaft sleeve	51	Front strap
2	Front panel mirror	27	Outlet guard	52	Rubber support block 2
3	Air deflector fixing part	28	Air duct foam	53	Rubber support block 1
4	Air deflector	29	The right base	54	Water wheel
5	The front panel	30	Stepper motor	55	Dc water drawing motor
6	Display light panel	31	Middle partition steele rubber	56	Lower air duct 1
7	Display panel mounting box	32	The partition	57	Exhaust wind turbines
8	Front cover	33	Condense cover	58	Lower air duct 2
9	Left trim strip	34	Water level switch	59	plastic sealed dc brushless motor
10	Electronical control box cover	35	Torsion spring	60	The motor bracket
11	Plastic electric control box	36	Water pipe	61	Electronic expansion valve nozzles 1
12	Variable frequency drive plate	37	Water reelease switch assembly	62	Four way valve connection 2
13	Main control panel	38	Under water pans	63	Four way valve connection 1
14	Isolation column	39	Base	64	Condenser assembly
15	Line pressing board	40	Support bar	65	Compressor discharge pipe
16	The left support plate	41	The after cover plate	66	Four way valve
17	WIFI protection box cover	42	Back panel	67	Four way valve coil
18	WIFI module	43	Rear protection filter	68	Compressor suction pipe
19	WIFI protective box	44	Right trim strip	69	The compressor
20	Left base	45	Right link bar	70	Compressor footing
21	Plastic sealed dc brushless motor	46	Light support plate	71	Electronic expansion valve coil
22	Filter	47	Drain pipe	72	Electronic expansion valve
23	Evaporator assembly	48	Chassis stents	73	Electronic expansion valve nozzles 2
24	Water pans	49	The rubber feet	74	Heating tube 1
25	Air supply wind turbines	50	Water management card	75	Heating tube 2

Disposal

Always dispose of packing materials in an environmentally friendly manner and in accordance with the applicable local disposal regulations.

You are responsible for deleting personal data from the device that is to be disposed of.



The icon with the crossed-out waste bin on waste electrical or electronic equipment stipulates that this equipment must not be disposed of with the household waste at the end of its life. You will find collection points for free return of waste electrical and electronic equipment in your vicinity. The addresses can be obtained from your municipality or local administration. You can also find out about other return options that apply for many EU countries on the website <https://hub.trotec.com/?id=45090>. Otherwise, please contact an official recycling centre for electronic and electrical equipment authorised for your country.

The separate collection of waste electrical and electronic equipment aims to enable the re-use, recycling and other forms of recovery of waste equipment as well as to prevent negative effects for the environment and human health caused by the disposal of hazardous substances potentially contained in the equipment.



In the European Union, batteries and accumulators must not be treated as domestic waste, but must be disposed of professionally in accordance with Directive 2006/66/EC of the European Parliament and of the Council of 6 September 2006 on batteries and accumulators. Please dispose of batteries and accumulators according to the relevant legal requirements.

Only for United Kingdom

According to Waste Electrical and Electronic Equipment Regulations 2013 (2013/3113) and the Waste Batteries and Accumulators Regulations 2009 (2009/890), devices that are no longer usable must be collected separately and disposed of in an environmentally friendly manner.

Simplified EU Declaration of Conformity

Trotec GmbH hereby declares that the radio system type (PAC-W 2650 SH – Wifi module) complies with Directive 2014/53/EU. The full text of the EU declaration of conformity is available at the following internet address:
<https://hub.trotec.com/?id=46475>

Trotec GmbH

Grebener Str. 7
D-52525 Heinsberg

☎ +49 2452 962-400

☎ +49 2452 962-200

✉ info@trotec.com

www.trotec.com